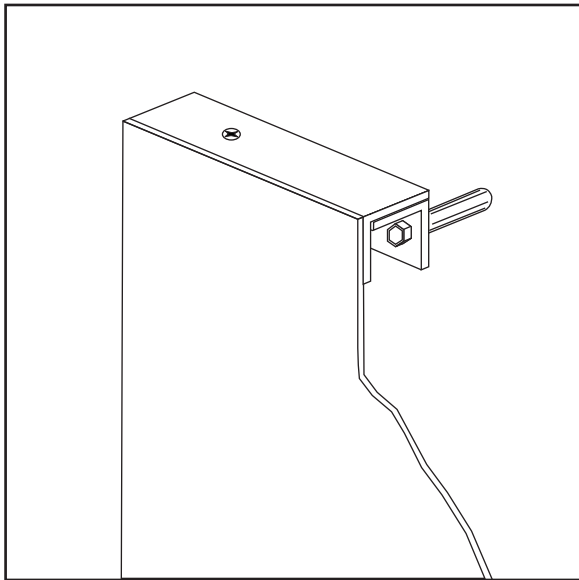
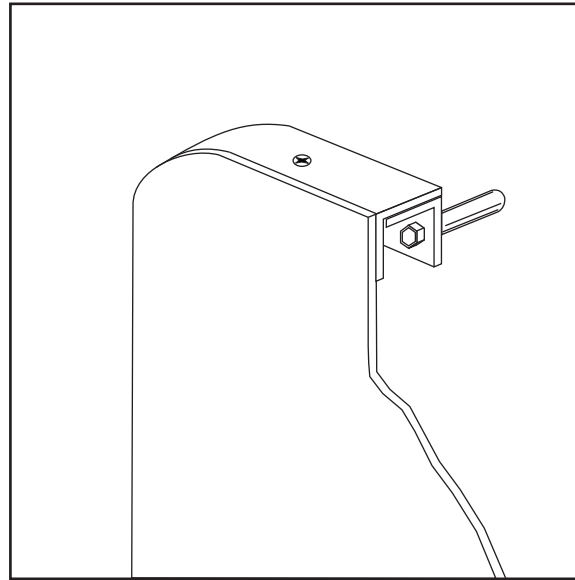


Series 300-WM

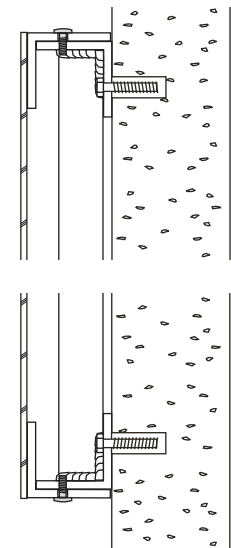
Flush-faced Wall Mount Aluminum Panel Sign



OBLIQUE VIEW



OBLIQUE VIEW



SECTION VIEW

- Non-Illuminated
- Variable size, up to ~120" high and any length
- Variable shape, and depth
- .080" (min) flush aluminum or ACM face
- Baked 2-part acrylic polyurethane finish
- Concealed aluminum mounting frame