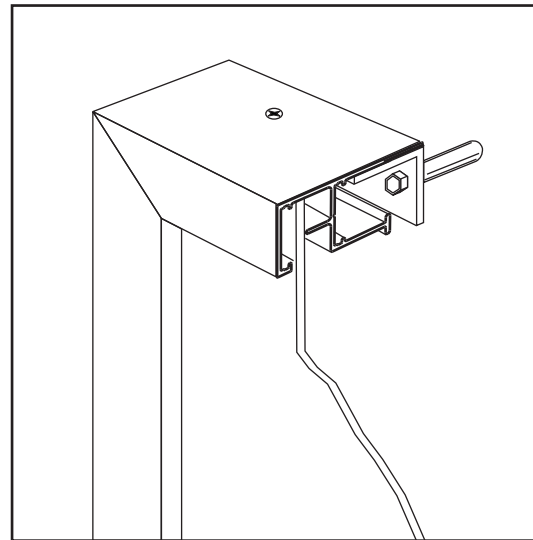
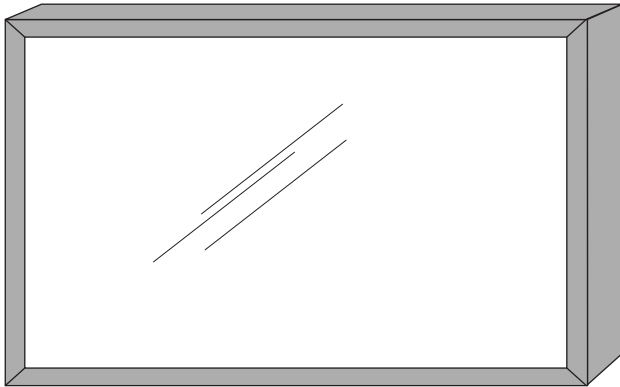
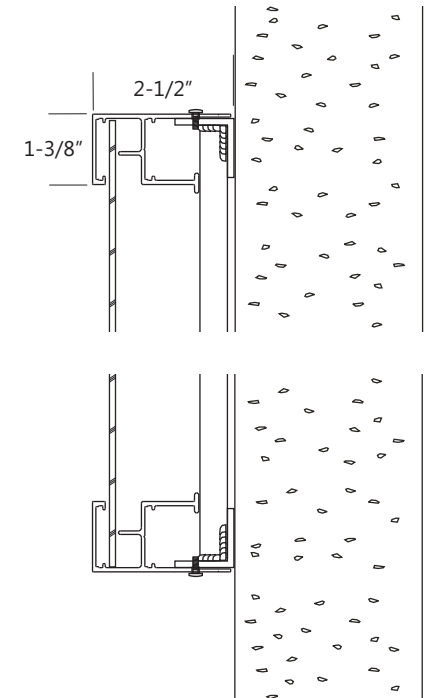


## Series 300-WMS

### Slide-Frame Wall Mount Aluminum Panel Sign



OBLIQUE VIEW



SECTION VIEW

- Non-Illuminated
- Variable size, up to ~60" high and any length
- 2-1/2" panel depth
- Plastic, aluminum or ACM faces up to 1/4" thick
- Dark bronze or custom 2-part acrylic polyurethane finish
- Concealed aluminum mounting frame